

WM-160-FX-36S

WEL MERLIN FLEXIBLE MONO

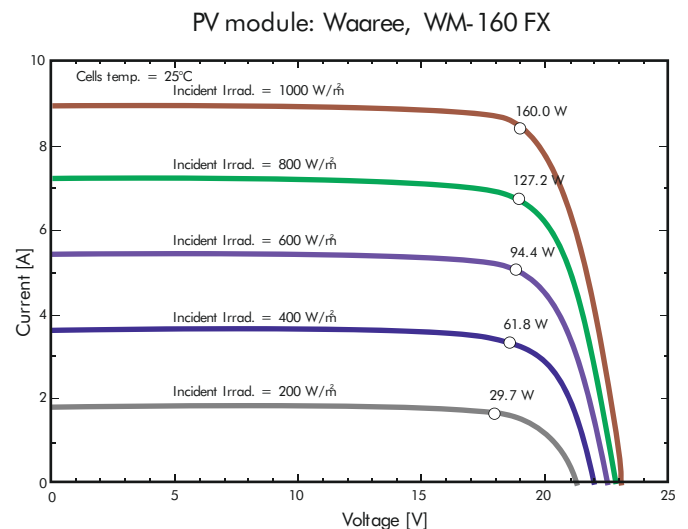
WAAREE[®]

One with the Sun

Waaree Energies introduces the first energy efficient module in India which is designed to protect against vibration induced damages & increase the power performance through strengthened solar cell by sandwiching the fragile Silicon cell by two copper grids and by collecting current in a distributed fashion which eliminates the electrical impact of cell crack which in turn improves the power performance & long life reliability. WM FX panels are glass free and made with high quality ETFE Polymer and Waaree merlin mono crystalline solar cells. Due to very light weight, it's much easier to fix on roof without any heavy load.



CHARACTERISTICS CURVES



CERTIFICATIONS and WARRANTY

Certifications	IEC-61215:2005, IEC-61730-1:2004, IEC61730-2:2004, IEC61701-EDITION 2, IEC 62716-ED.1:2014-1:2015
Fire Safety Class	Class C
Power Output Warranty	10 Years
Materials & Workmanship Warranty	25 Years

WM-160-FX-36S

WEL MERLIN FLEXIBLE MONO

WAAREE[®]

One with the Sun

ELECTRICAL PROPERTIES (STC*)

Model Number	WM-155-FX	WM-160-FX	WM-165-FX
Cell Type	MONO	MONO	MONO
Rated Power (Pmax) (Watt)	155	160	165
Number in Series (Numbers)	36	36	36
Max Peak Voltage (Vmp) (Volt)	18.58	18.92	19.34
Max Peak Current (Imp) (Amp)	8.35	8.46	8.54
Open Circuit Voltage (Voc) (Volt)	22.67	23.01	23.25
Short Circuit Current (Isc) (Amp)	8.61	8.72	8.81
Module Efficiency (%)	14.70	15.18	15.65
Max System Voltage (Vdc)	1000 V (IEC) / 600 V (UL)		
Power Tolerance (%)	+3		
Maximum Series Fuse Rating (Amp)	15		
Operating Temperature	-40° C to 85° C		

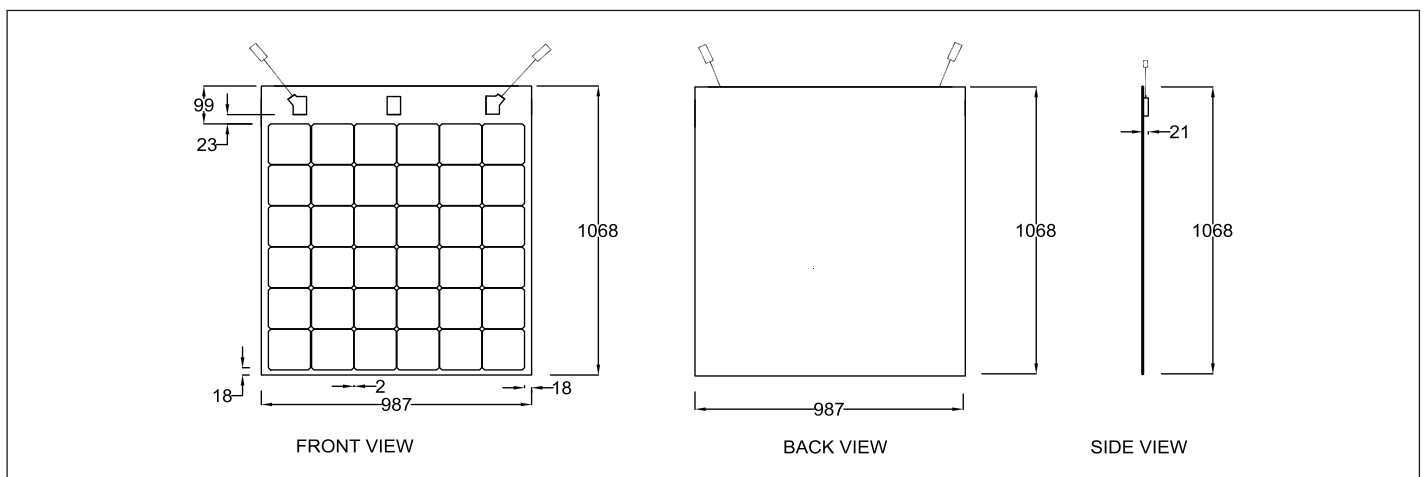
MECHANICAL PROPERTIES

Solar cells per Module / Arrangement	36 (6 x 6)
Cell Dimensions	156.75 x 156.75 (mm)
Cell Type	Mono-crystalline (PERC/ NON PERC/)
Module Dimensions (L x W x H)	1068 x 987 x 21 (mm)
Weight	5.5±0.5 KG
Junction Box	IP67 with 3 bypass diode
Connector Type	MC4 Compatible
Superstrate type (e.g. – strengthened glass, tempered glass etc)	ETFE Polymer

TEMPERATURE COEFFICIENT

Voc	-0.3095%/k
Isc	0.0398%/k
FF	-0.1074%/k
Power	-0.3938%/k

MODULES DIMENSIONS



Waaree Energies Ltd. is the flagship company of Waaree Group, and has the country's largest Solar PV Module manufacturing capacity of 1.5GW. In addition, it is one of leading players in India in EPC services, project development, rooftop solutions, solar water pumps, and as an Independent Power Producer. Waaree has its presence in over 250+ locations nationally and 68 countries globally.

**Refer To Waaree's Warranty Document For Terms & Conditions

*The Specifications Are For The References Purpose Only.

Waaree Reserves The Right To Change The Specifications Without Prior Notice.

www.waaree.com