



Steca PR Night

PR 0606N, PR 1010N

The Steca PR Night is designed for operating automatic night light systems and is suitable for solar systems of up to 300 Wp module output.

This controller is thus especially suitable for streetlights, bus stops, advertising lighting and other similar applications. The charge controller determines the actual solar time via the solar module. This integrated clock can be used to define how long after sunset, or before sunrise, the light is to be switched on or off.



Product features

- Hybrid controller
- State of charge determination with Steca AtonIC (SOC)
- Automatic detection of voltage
- PWM control
- Multistage charging technology
- Load disconnection depending on SOC
- Automatic load reconnection
- Temperature compensation
- Common positive grounding or negative grounding on one terminal
- Night light function
- Integrated self test
- Monthly maintenance charge

Electronic protection functions

- Overcharge protection
- Deep discharge protection
- Reverse polarity protection of load, module and battery
- Automatic electronic fuse
- Short circuit protection of load and module
- Overvoltage protection at module input
- Open circuit protection without battery
- Reverse current protection at night
- Overtemperature and overload protection
- Battery overvoltage shutdown

Displays

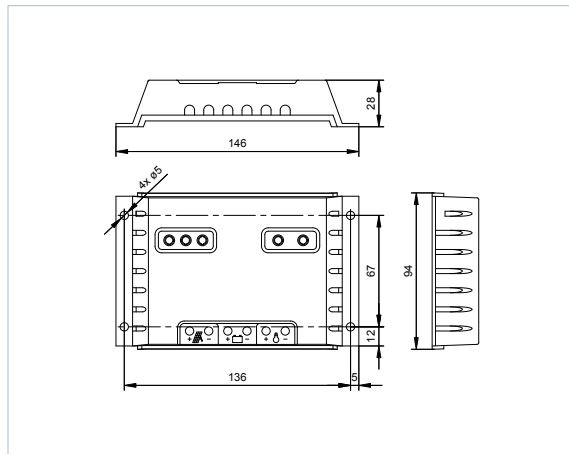
- Multi-coloured LED
- 3 multi-coloured LEDs show operating states
— for operation, state of charge, fault messages

Operation

- Programming by buttons
- Manual load switch

Certificates

- Approved by the World Bank for Laos
- Compliant with European Standards (CE)
- RoHS compliant
- Made in Germany
- Developed in Germany
- Manufactured according to ISO 9001 and ISO 14001



	PR 0606N	PR 1010N
Characterisation of the operating performance		
System voltage	12 V (24 V)	
Own consumption	6 mA	
DC input side		
Open circuit voltage solar module	< 47 V	
Module current	6 A	10 A
DC output side		
Load current	6 A	10 A
End of charge voltage	13.7 V (27.4 V)	
Boost charge voltage	14.4 V (28.8 V)	
Equalisation charge	14.7 V or 15 V (29.4 V)	
Reconnection voltage (SOC / LVR)	> 50 % / 12.6 V (25.2 V)	
Deep discharge protection (SOC / LVD)	< 30 % / 11.1 V (22.2 V)	
Operating conditions		
Ambient temperature	-25 °C ... +50 °C	
Fitting and construction		
Terminal (fine / single wire)	6 mm ² / 10 mm ² - AWG 10 / 8	
Degree of protection	IP 22	
Dimensions (X x Y x Z)	146 x 94 x 28 mm	
Weight	120 g	
Night-light function	19 h ... 3 h	
Morning-light function	23 h ... 7 h	

Technical data at 25 °C / 77 °F

[areas of application]

