

Solar Modules with 60 Cells

Poly-Crystalline

SRM200P-230P

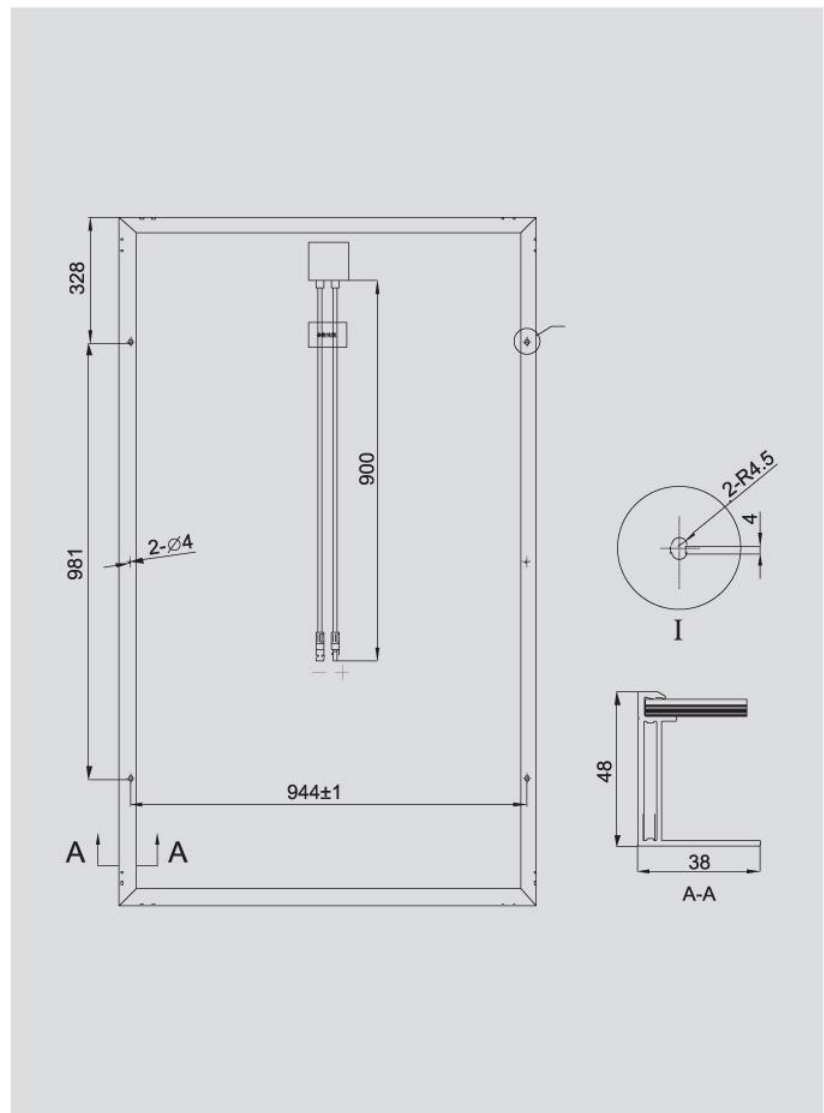
Module Type	Number of Cell	Cell Dimension(mm)	Max System Voltage(V)	Pm(W)	Vm(V)	Im(A)	Voc(V)	Isc(A)
SRM-200P	60	156 × 156	DC700	200	29.1	6.87	35.9	7.35
SRM-210P	60	156 × 156	DC700	210	29.6	7.09	35.9	7.6
SRM-220P	60	156 × 156	DC700	220	30.1	7.31	36	7.95
SRM-230P	60	156 × 156	DC700	230	30.4	7.57	36.4	8.17

Structure

Picture



SRM200P~230P



Physical Characters

Module Net Weight	18.9(kg)
Module Size	1637×992×48(mm)
Carton Size	1670×1030×110(mm)
Packing Configuration	2pcs/carton 18cartons/pallet
Loading Capacity	216pcs/6pallets/20'container 468pcs/13pallets/40'container

TO CREATE A SUSTAINABLE FUTURE
创造可持续发展的未来

常州兆阳光能科技有限公司
SUNRISE SOLARTECH CO., LTD.

地址: 常州市钟楼开发区科技工业园星港路65-22号

电话: 0086-519-83906509(总机)

0086-519-83906507(贸易部)

传真: 0086-519-83906508

网址: www.srsolartech.com

Add: No. 65-22 Xinggang Road, Zhonglou Development Zone, Changzhou 213023 Jiangsu, P. R. China

Tel: 0086-519-83906509

0086-519-83906507

Fax: 0086-519-83906508

Http: //www.srsolartech.com